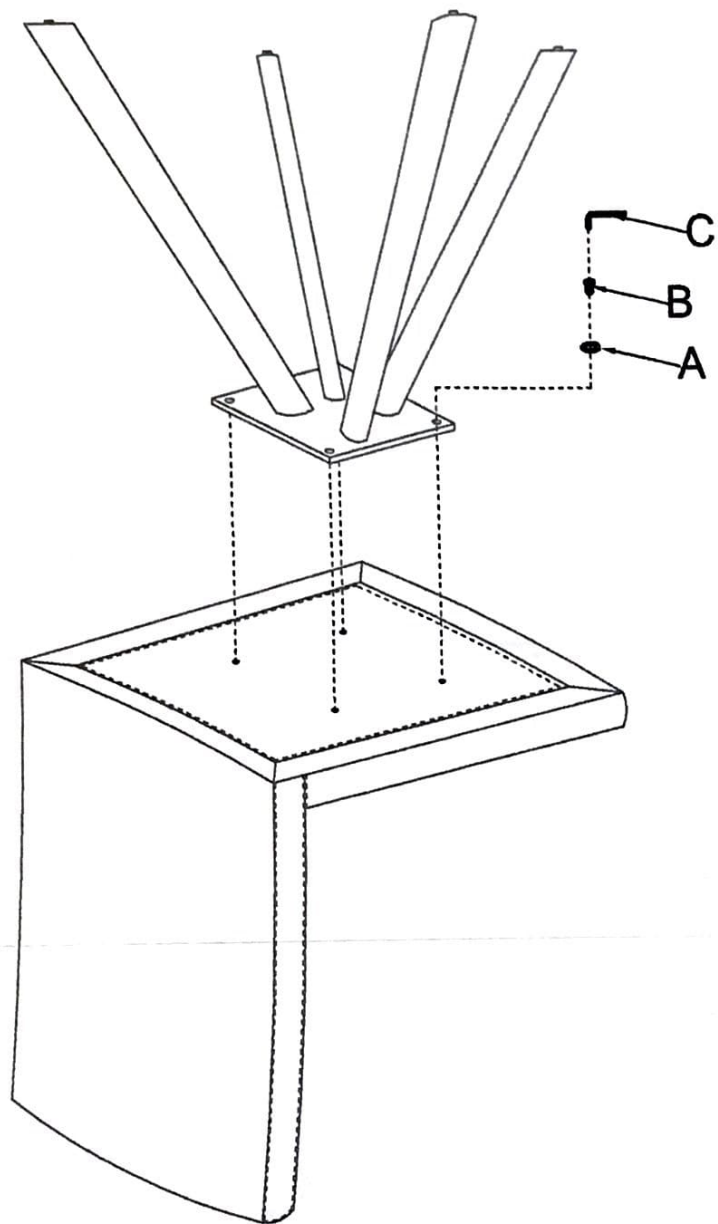
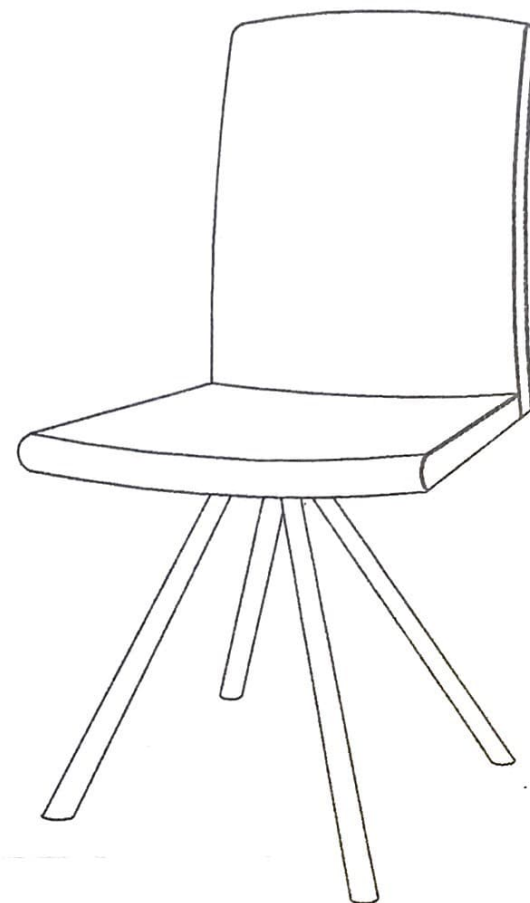





STEP 1



STEP 2



	$\text{Ø}6$ A=4		M6x20 B=4		M4 C=1
---	--------------------	---	--------------	---	-----------